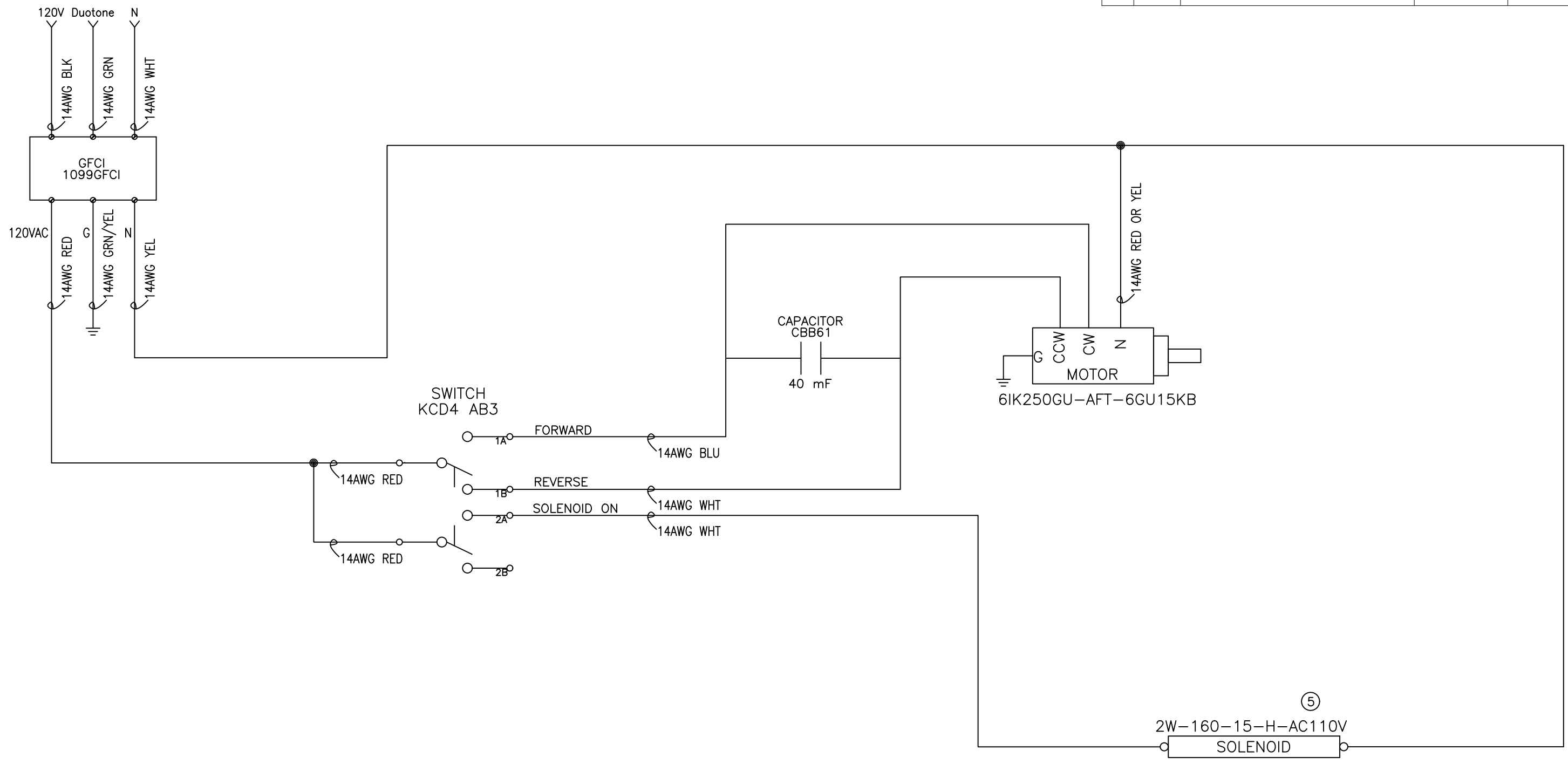


SSS				
ZONE	REV.	DESCRIPTION	DATE	APPROVED
	0	AS-BUILT RE-CREATION RELEASE PER DRD-220601	08/01/22	



- NOTES:
1. MOTOR SHALL BE WIRED TO THE GROUND POINT
 2. SOLENOID VALVE SHALL BE WIRED TO THE GROUND POINT
 2. ALL SPARES SHALL BE IDENTIFIED WITH LABEL AND ENDS TAPED OR INSULATED.
 3. SPARE WIRE LABELS SHALL BE SECURED SO THEY DO NOT SLID OFF.
 4. WIRES SHOULD HAVE NO TENSION.
 5. SOLENOID YELLOW WIRE HAS CONNECTOR IN SWITCH BOX

PROPRIETARY AND CONFIDENTIAL
 THE INFORMATION CONTAINED IN THIS DRAWING IS THE SOLE PROPERTY OF MUDMIXER. ANY REPRODUCTION IN PART OR AS A WHOLE WITHOUT THE WRITTEN PERMISSION OF MUDMIXER IS PROHIBITED.

UNLESS OTHERWISE SPECIFIED			NAME	DATE
DIMENSIONS ARE IN INCHES			DRAWN	AA
TOLERANCES:			CHECKED	
FRACTIONAL ±			ENG APPR.	
ANGULAR: MACH ± BEND ±1.0°			MFG APPR.	
TWO PLACE DECIMAL ±0.03			Q.A.	
THREE PLACE DECIMAL ±0.015			COMMENTS:	
FOUR PLACE DECIMAL ±0.003				
INTERPRET GEOMETRIC TOLERANCING PER ASME Y14.5				
MATERIAL				
SEE PARTS LIST				
FINISH				
SEE NOTES				
APPLICATION	DO NOT SCALE DRAWING			

TITLE: MUDMIXER 120VAC SCHEMATICS		
SIZE	DWG. NO. US08022022	REV 0
SCALE: 1:1	WEIGHT:	SHEET 1 OF 1

